

# AXLES





## *Purosangue*

- > In Italy the purosangue horses is hardly suitable to beginner riders, his attitude is leading the race, but also excels in cross country and steeple chase competitions.
- > Reliable and top performer never betrays his rider.
- > These are also the qualities of **ROADRANGE** Purosangue, axles for professionals.



## AXLE IDENTIFICATION

Code **A S2 XL 1 XC**

Code of steering axles **BT S2 XL 1 XC**

A = AXLE



BM, BT, BW, BX... = STEERING AXLE

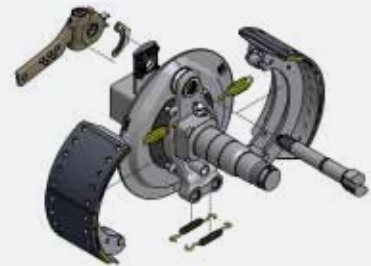


S1 = 110 mm  
S2 = 120 mm  
S3 = 130 mm  
S5 = 150 mm

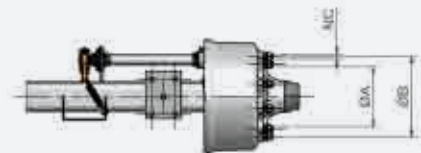


R2 = 127x16 mm  
RA = 127x19 mm  
RB = 127x30 mm

BRAKE TYPE\*



WHEEL CONNECTION



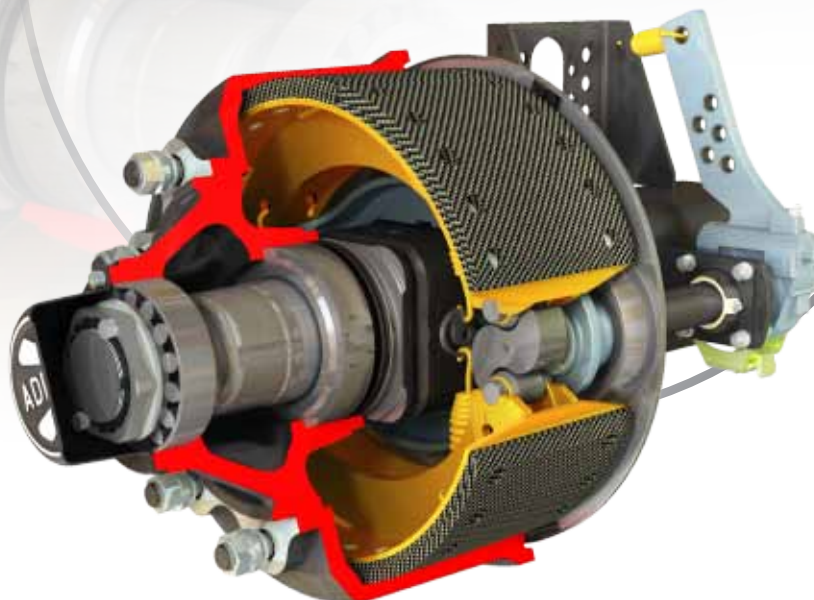
NC	A/B
6 = 6	160 / 205
8 = 8	220 / 275
1 = 10	280 / 335
R = 10	175.8 / 225

AXLE TYPE\*



\* SEE THE FOLLOWING TABLES

## BRAKES



## HOMOLOGATED BRAKES

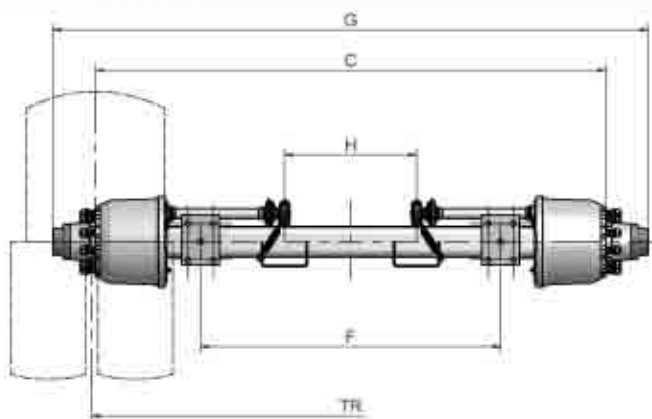
TYPE	IDENT	DIMENSIONS	AXLE BRAKE PERFORMANCE	MAXIMUM WHEEL RADIUS	MINIMUM WHEEL RADIUS	MINIMUM RIM ALLOWED	DIRECTIVE	REPORT REFERENCE
310E	JF	300x100	6000	420	336	17,5"	ECE-R13	36113812
314E	KF	300x135	8000	388	310,4	17,5"	ECE-R13	36103312
316	PA	300x160	10000	387	309,6	17,5"	ECE-R13	36102112
3020S	MC	300x200	11000	434	347,2	17,5"	ECE-R13	36101707
412E	VC	406x120	11500	560	448	20" - 22,5"	ECE-R13	36106111
414E	WC	406x140	12500	560	448	20" - 22,5"	ECE-R13	36102311
4218E	XC	420x180	13000	560	448	20" - 22,5"	ECE-R13	36106511
4220E	YC	420x200	13500	560	448	20" - 22,5"	ECE-R13	36110812
5218E	ZE	520x180	14000	747	597,6	25"	71/320/CE	36104309

## OTHER BRAKES

TYPE	IDENT	DIMENSIONS	AXLE BRAKE PERFORMANCE	MAXIMUM WHEEL RADIUS	MINIMUM WHEEL RADIUS	MINIMUM RIM ALLOWED
4515Q	YG	419,1x177,8	13000	560	448	20" - 22,5"
4516Q	YL	419,1x203,2	13500	560	448	20" - 22,5"
430*	SA	430x45	12000	560	448	22,5"
377*	LX	370x45	10500	560	448	19,5"

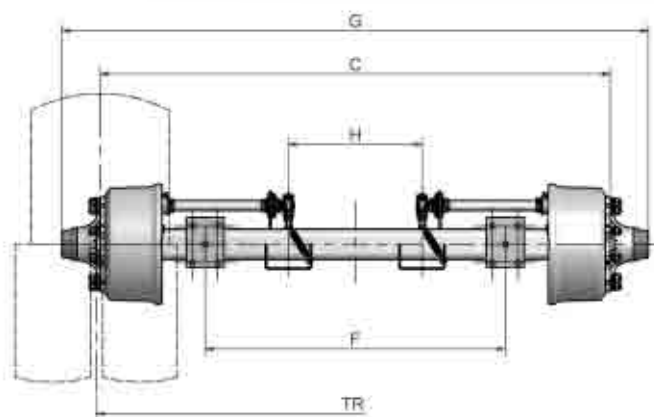
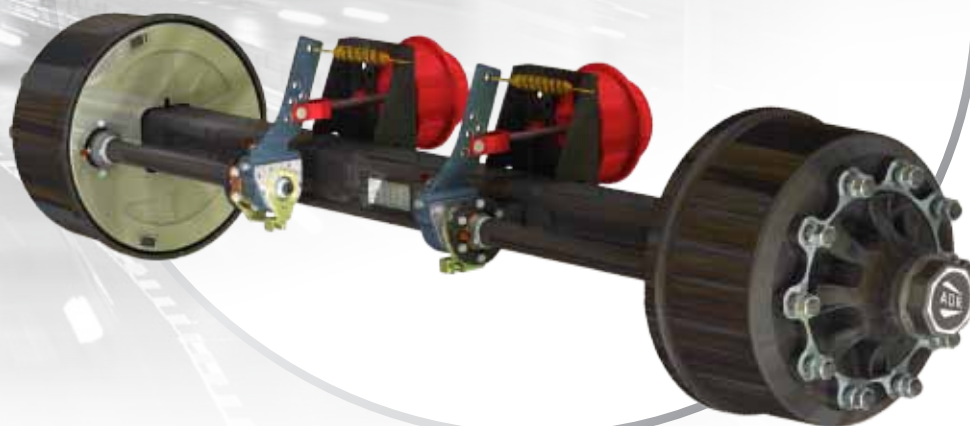
\* Disc brake

## RIGID AXLES WITH 300 MM DRUM BRAKE



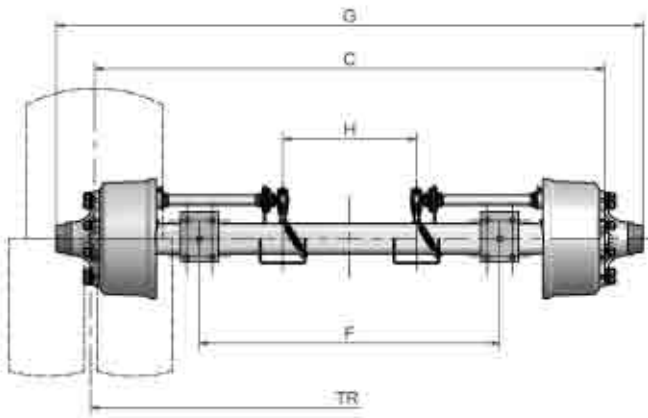
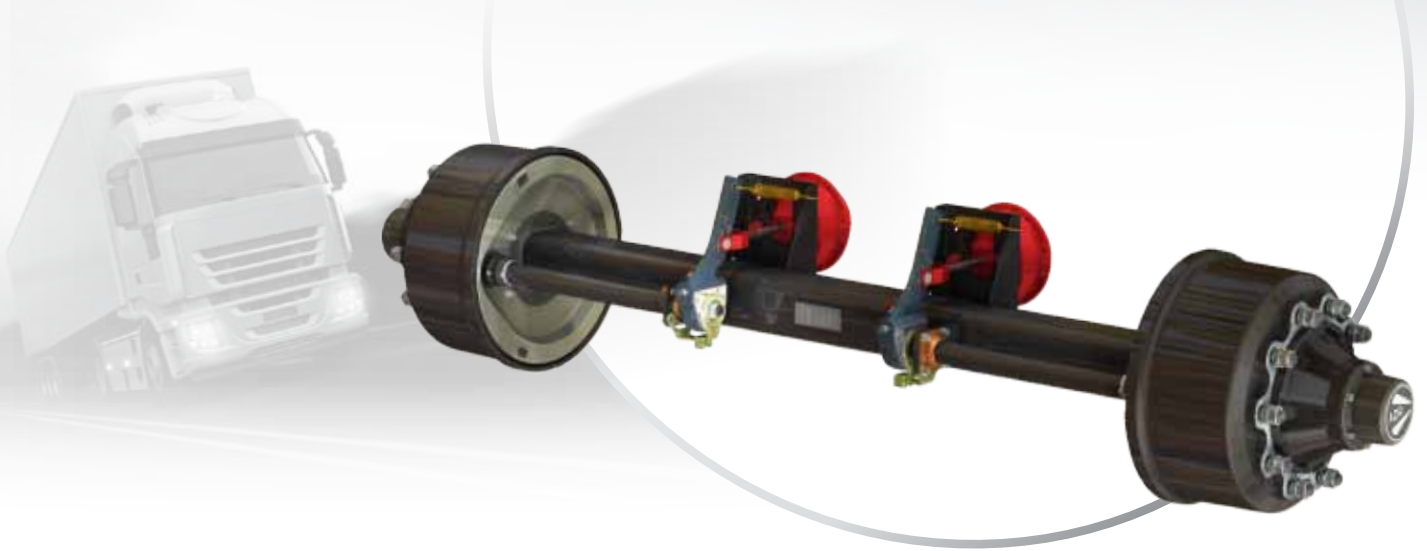
TYPE	CAPACITY	BRAKE	AXLE BEAM	WHEEL CONNECTION	MINIMUM WHEEL	TWIN WHEEL FACE TO FACE C	TWIN WHEEL TRACK TR	SINGLE WHEEL TRACK C	OVERALL WIDTH G	WEIGHT Kg
AS1RF8KB	5500	310E	○ 110	8xM20x1,5 - 220/275	17,5"/19,5"	1820	1850	2040	2306	178
AS1RFRKB	5500	310E	○ 110	10xM22x1,5 - 175/225	17,5"/19,5"	1820	1850	2040	2306	180
AS1RF8KB	7500	314E	□ 110	8xM20x1,5 - 220/275	17,5"/19,5"	1820	1850	2040	2306	238
AS1RFRKB	7500	314E	□ 110	10xM22x1,5 - 175/225	17,5"/19,5"	1820	1850	2040	2306	240
AS1RF8PA	7500	316	□ 110	8xM20x1,5 - 220/275	17,5"/19,5"	1820	1850	2040	2040	238
AS1RFRPA	7500	316	□ 110	10xM22x1,5 - 175/225	17,5"/19,5"	1820	1850	2040	2306	265
AS2XL8MA	12000	3020S	□ 120	8xM20x1,5 - 220/275	17,5"/19,5"	1820	1850	2040	2040	305
AS2XL8MA	12000	3020S	□ 120	10xM22x1,5 - 175/225	17,5"/19,5"	1820	1850	2040	2357	305
AR2XL8MA	12000	3020S	○ 127	10xM22x1,5 - 175/225	17,5"/19,5"	1820	1850	2040	2357	320

## RIGID AXLES WITH 400 TO 420 MM DRUM BRAKE



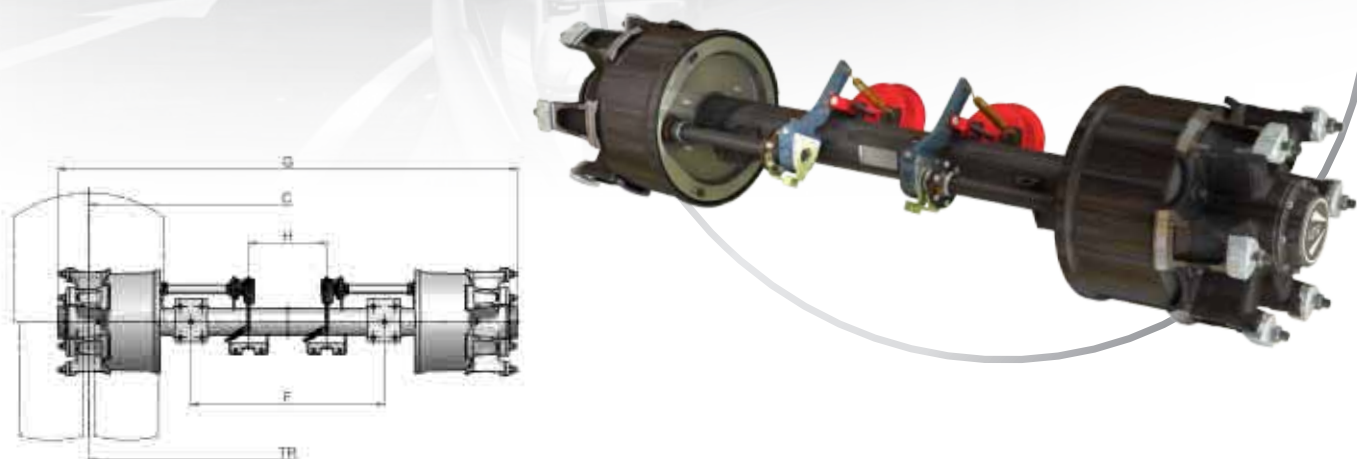
TYPE	CAPACITY	BRAKE	AXLE BEAM	WHEEL CONNECTION	MINIMUM WHEEL	TWIN WHEEL FACE TO FACE C	TWIN WHEEL TRACK TR	SINGLE WHEEL TRACK C	OVERALL WIDTH G	WEIGHT Kg
AS2RW8VC	10000	412E	□ 120	8xM20x1,5 - 220/275	20"/22,5"	1820	1850	2040	2346	305
AS2RW1VC	10000	412E	□ 120	10xM22x1,5 - 280/335	20"/22,5"	1820	1850	2040	2346	305
AS2RW1XC	10000	4218E	□ 120	10xM22x1,5 - 280/335	20"/22,5"	1820	1850	2040	2346	332
AS2RW1YC	10000	4220E	□ 120	10xM22x1,5 - 280/335	20"/22,5"	1820	1850	2040	2346	358
AS2XL8WC	12000	414E	□ 120	8xM20x1,5 - 220/275	20"/22,5"	1820	1850	2040	2357	342
AS2XL1WC	12000	414E	□ 120	10xM22x1,5 - 280/335	20"/22,5"	1820	1850	2040	2357	342
AR2XL8WC	12000	414E	□ 120	8xM20x1,5 - 220/275	20"/22,5"	1820	1850	2040	2357	342
AR2XL1WC	12000	414E	○ 127	10xM22x1,5 - 280/335	20"/22,5"	1820	1850	2040	2357	353
AS2XL1XC	12000	4218E	□ 120	10xM22x1,5 - 280/335	20"/22,5"	1820	1850	2040	2357	338
AS5XL1XC	12000	4218E	□ 150	10xM22x1,5 - 280/335	20"/22,5"	1820	1850	2040	2357	354
AS5XL1YC	12000	4220E	□ 150	10xM22x1,5 - 280/335	20"/22,5"	1820	1850	2040	2357	378
AR2XL1XC	12000	4218E	○ 127	10xM22x1,5 - 280/335	20"/22,5"	1820	1850	2040	2357	347
AR2XL1YC	12000	4220E	○ 127	10xM22x1,5 - 280/335	20"/22,5"	1820	1850	2040	2357	369

## HEAVY DUTY RIGID AXLES WITH 420 TO 520 MM DRUM BRAKE



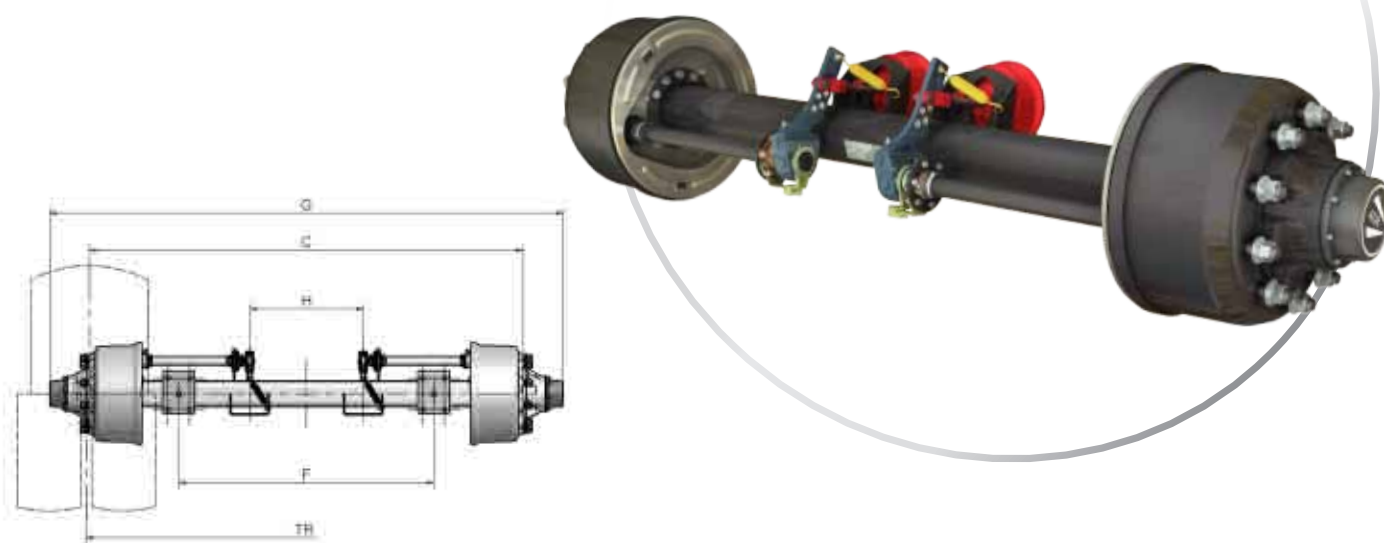
TYPE	CAPACITY	BRAKE	AXLE BEAM	WHEEL CONNECTION	MINIMUM WHEEL	TWIN WHEEL FACE TO FACE C	TWIN WHEEL TRACK TR	SINGLE WHEEL TRACK C	OVERALL WIDTH G	WEIGHT Kg
AS5PB1YC	13000	4220E	□ 150	10xM22x1,5 - 280/335	20"/22,5"	1820	1850	2040	2340	392
AR2PB1YC	13000	4220E	○ 127	10xM22x1,5 - 280/335	20"/22,5"	1820	1850	2040	2040	392
AS5PF1YC	15000	4220E	□ 150	10xM22x1,5 - 280/335	20"/22,5"	1820	1850	2040	2340	398
AR2PF1YC	15000	4220E	○ 127	10xM22x1,5 - 280/335	20"/22,5"	1820	1850	2040	2340	398
AS5ZA1YC	18000	4220E	□ 150	10xM22x1,5 - 280/335	20"/22,5"	1820	1850	2040	2529	423
AR5ZA1YC	18000	4220E	○ 127	10xM22x1,5 - 280/335	20"/22,5"	1820	1850	2040	2529	423
AR4ZA1YC	18000	4220E	○ 146	10xM22x1,5 - 280/335	20"/22,5"	1820	1850	2040	2529	423
AE5ZA1ZE	18000	5218E	□ 150	10xM22x1,5 - 280/335	25"	1820	1850	2040	2529	509

RIGID AXLES WITH DRUM BRAKE FOR SPECIAL PURPOSES



TYPE	CAPACITY	BRAKE	AXLE BEAM	WHEEL CONNECTION	MINIMUM WHEEL	TWIN WHEEL FACE TO FACE C	TWIN WHEEL TRACK TR	SINGLE WHEEL TRACK C	OVERALL WIDTH G	WEIGHT Kg
AS5PA1YC	13000	4220E	□ 150	raggera 22,5" 5/6	22,5"	1820	1850	2040	2040	385
AS5PE1YC	15000	4220E	□ 150	raggera 22,5" 5/6	22,5"	1820	1850	2040	2040	388
AE5WA1YC	24000	4220E	□ 150	10xM22x1,5 - 280/335	20"/22,5"	1820	1850	2040	2526	446
AE5WA1ZE	24000	5218E	□ 150	10xM22x1,5 - 280/335	25"	1820	1850	2040	2526	532

RIGID AXLES WITH OUTBOARD DRUM BRAKE



TYPE	CAPACITY	BRAKE	AXLE BEAM	WHEEL CONNECTION	MINIMUM WHEEL	TWIN WHEEL FACE TO FACE C	TWIN WHEEL TRACK TR	SINGLE WHEEL TRACK C	OVERALL WIDTH G	WEIGHT Kg
AS5ZL1YG	13000	4515Q	○ 127	10xM22x1,5 - 280/335	20"/22,5"	1820	1850	2040	2354	352
AS5PL1YL	13000	4516Q	○ 127	10xM22x1,5 - 280/335	20"/22,5"	1820	1850	2040	2358	373